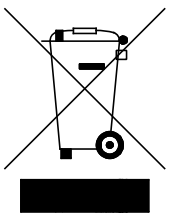
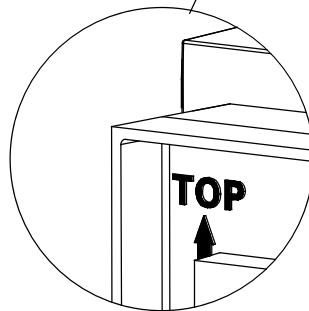
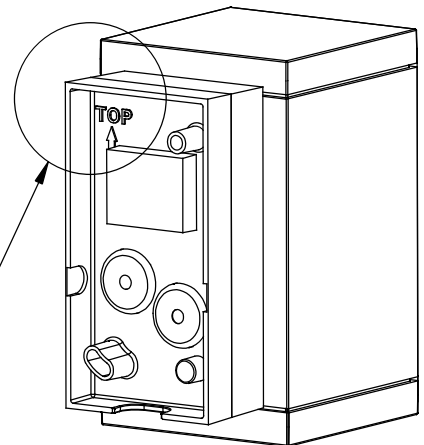
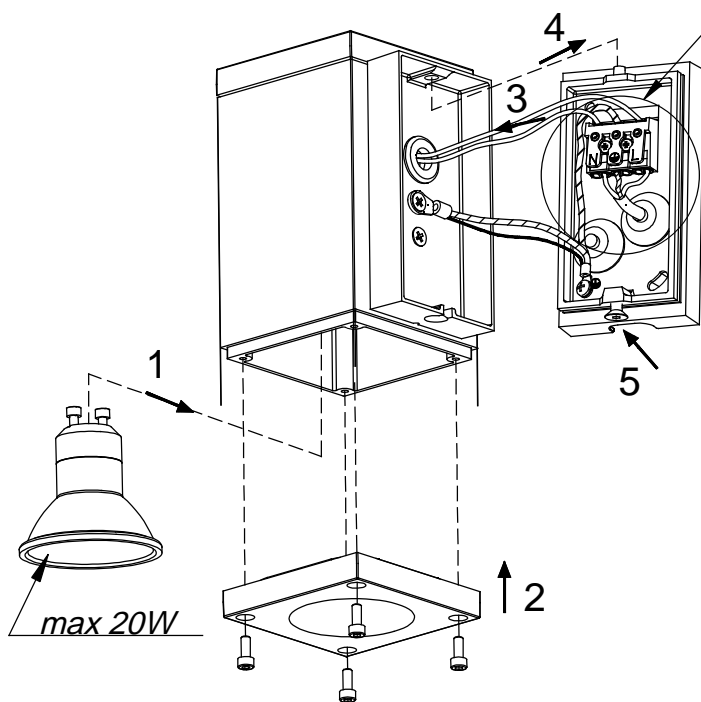
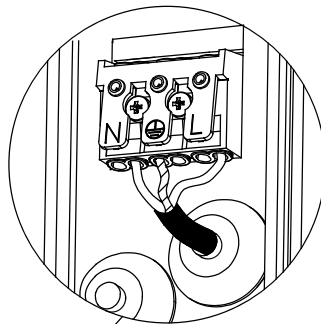
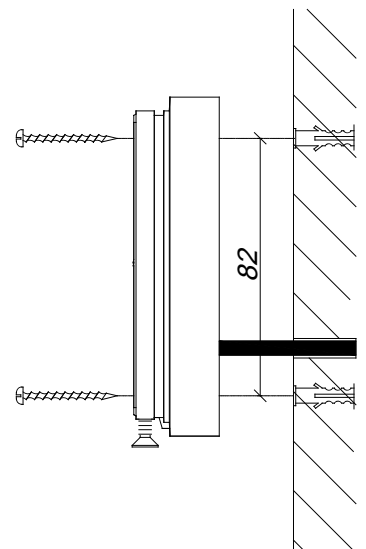
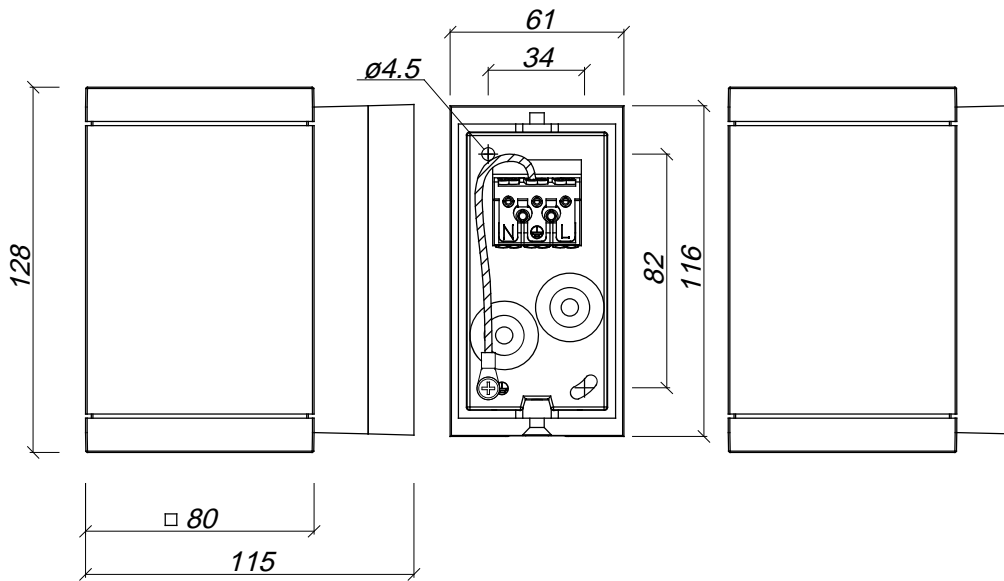
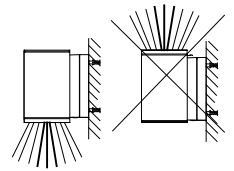


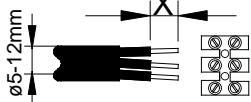
SANDVIK

Art.793 GU10, QMR16, max.25W

Art.794 GU10, LED PAR16, max.4W



$<1,5^{\square}$ x=10mm
 $1,5 \div 2,5^{\square}$ x=12mm



3x max.2,5[□]

